



**CF101D**  
**DCF102**

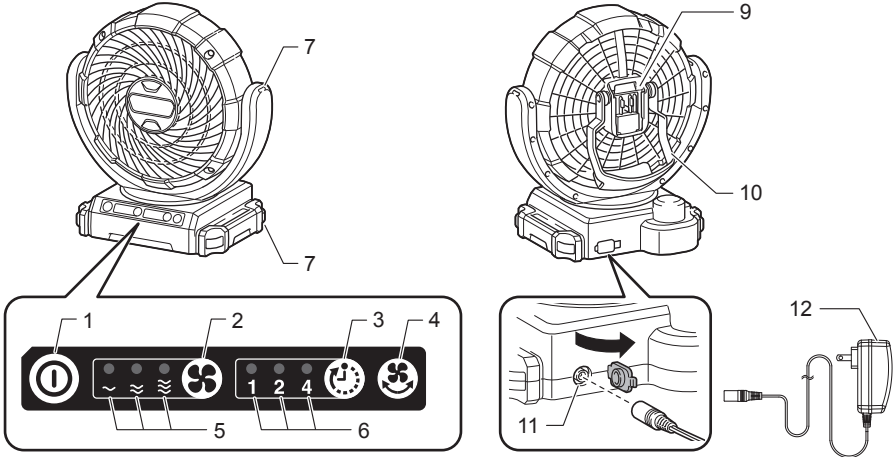
<b>EN</b>	<b>Cordless Fan</b>	<b>Owner's Manual</b>
<b>FRCA</b>	<b>Ventilateur sans fil</b>	<b>Manuel du propriétaire</b>
<b>ESMX</b>	<b>Ventilador Inalámbrico</b>	<b>Manual del propietario</b>

**IMPORTANT:** Read Before Using.

**IMPORTANT :** Lire ce qui suit avant d'utiliser cet outil.

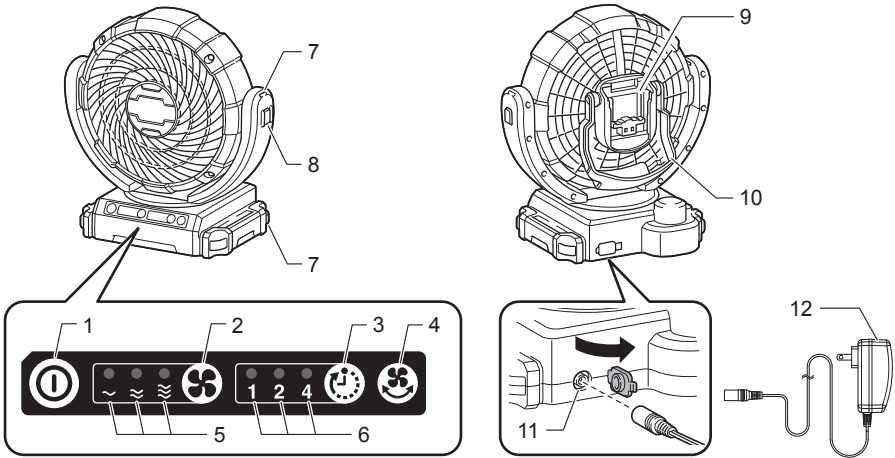
**IMPORTANTE:** Leer antes de usar.

**CF101D**



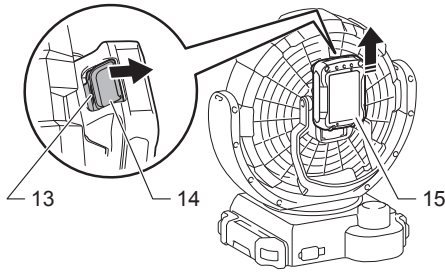
**1**

**DCF102**

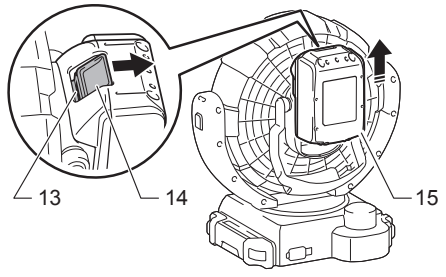


**2**

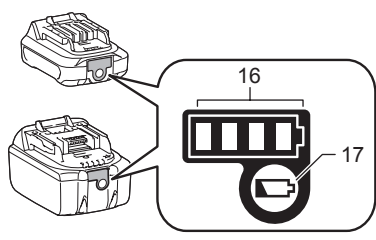
CF101D



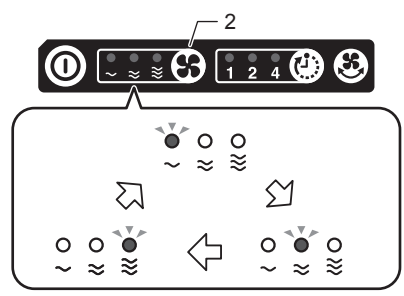
DCF102



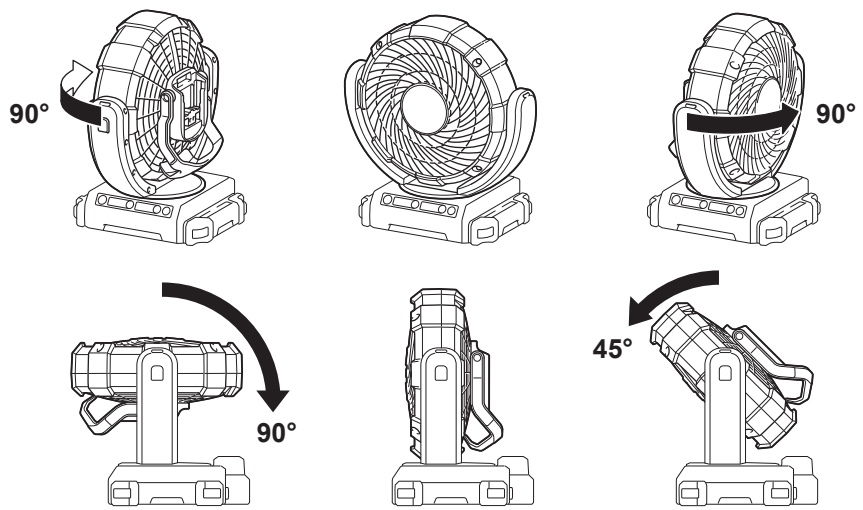
3



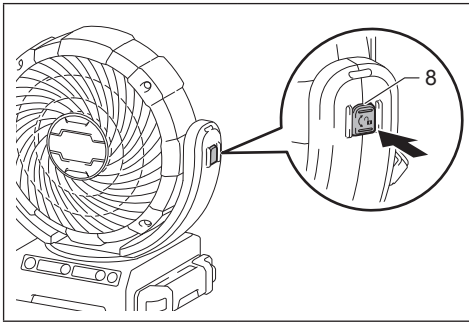
4



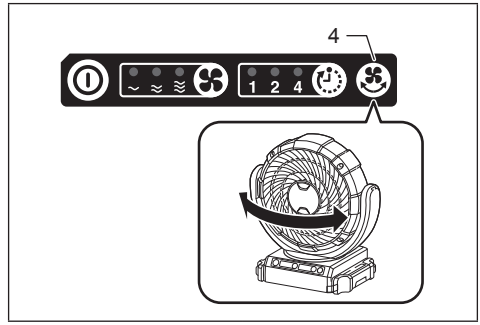
5



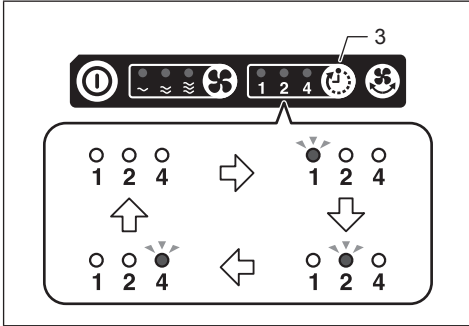
6



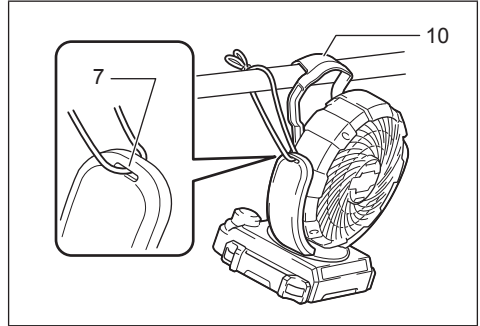
7



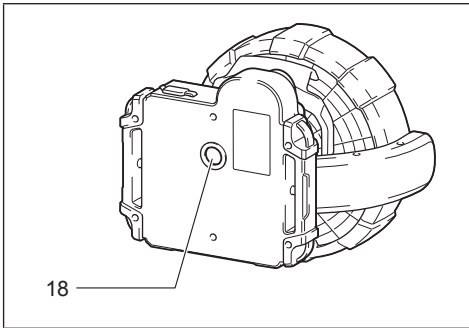
8



9



10



11

## English

To prevent serious injury, please read and understand all warnings and instructions before use. You will need this manual for the safety warnings and precautions, assembly, operating, inspection, maintenance procedures. Keep this manual in a safe and dry place for future reference.

## WARNING AND SAFETY RULES

# IMPORTANT SAFETY INSTRUCTIONS

When using an electrical appliance, basic precautions should always be followed, including the following:

## READ ALL INSTRUCTIONS BEFORE USING THIS APPLIANCE.

### **WARNING** - To reduce the risk of fire, electric shock or injury:

1. Do not expose to rain. Store indoors.
2. Do not allow to be used as a toy. Close attention is necessary when used by or near children.
3. Use only as described in this manual. Use only manufacturer's recommended attachments.
4. Do not use with damaged battery. If appliance is not working as it should has been dropped, damaged, left outdoors, or dropped into water, return it to our service center.
5. Do not handle the appliance with wet hands.
6. Do not put any object into openings.
7. Keep hair, loose clothing, finger and all parts of body away from openings and moving parts.
8. Turn off all controls before removing the battery.
9. Use only the AC adaptor or charger supplied by the manufacturer. Accessories that may be suitable for one cordless fan may become hazardous when used on others.
10. Do not charge the battery outdoors.
11. This appliance is not intended for use by persons (including children) with reduced physical, sensory or mental capabilities, or lack of experience and knowledge, unless they have been given supervision or instruction concerning use of the appliance by a person responsible for their safety.
12. Children should be supervised to ensure that they do not play with the appliance.
13. Do not expose to fire or high temperatures.
14. Do not use near open flames, glowing embers or explosive atmospheres, such as in presence of flammable liquids, gases or dust. Cordless fans create sparks which may ignite the dust or fumes.
15. To reduce the risk of fire or electric shock, do not use this fan with any solid-state speed control device.

16. Never use the cordless fan in humid locations such as in a bathroom.
17. This cordless fan is indoor use only. Never use the cordless fan outdoors.
18. This appliance is intended for household use.
19. Read this instruction manual and the charger instruction manual carefully before use.
20. Stop operation immediately if you notice any abnormal.
21. If you drop or strike the fan, check it carefully for cracks or damage before operation.
22. Do not bring the cordless fan close to stoves or other heat sources.
23. Do not use if broken, bent, cracked or damaged parts are present. Any cordless fan that appears damaged in any way or operates abnormally must be removed from service immediately. Inspect before each operation.
24. Do not leave the cordless fan energized and unattended.
25. Don't abuse the AC adaptor. Never use the adaptor cord to carry the fans or pull the plug out from an outlet. Keep the AC adaptor away from heat, oil, sharp edges, or moving parts. Replace damaged adaptor immediately. Damaged adaptor may increase the risk of electric shock.

## **CORDLESS FAN USE AND CARE**

1. Use the correct cordless fan for your application. Do not use the fan for a purpose for which it is not intended.
2. The cordless fan can work by Makita Li-ion battery cartridge designated in "SPECIFICATIONS" section in this instruction manual or AC adaptor supplied as an optional accessory. Use of any other batteries may create a risk of fire. Recharge batteries only with the specified charger. A charger that may be suitable for one type of battery may create a risk of fire when used with another battery.
3. Store idle cordless fan out of reach of children and other untrained persons.
4. Disconnect battery cartridge and the AC adaptor (optional accessory) from the power source before storing the fan. Such preventive safety measures may reduce the risk of starting the fan accidentally. Always remove battery cartridge and unplug the fan from its electrical outlet before performing any inspection, maintenance, or cleaning procedures.
5. When battery cartridge is not in use, keep it away from other metal objects. Shortening the battery terminals together may cause sparks, burns or a fire.
6. Unplug unit and allow it to cool before attempting any cleaning or maintenance.
7. Do not allow familiarity with appliances to make you careless. Remember that a careless fraction of a second is sufficient to inflict serious injury.
8. When inserting/removing the battery or plugging/unplugging the AC adapter (optional accessory), always place the cordless fan on a flat and stable surface.
9. Do not use any batteries, attachments or accessories not recommended by the manufacturer of this appliance. The use of batteries, attachments or accessories not recommended can result in serious personal injury.

# **SERVICE**

1. Cordless fan service must be performed only by qualified repair personnel. Service or maintenance performed by unqualified personnel could result in a risk of injury.
2. When servicing a cordless fan, use only identical replacement parts. Use of unauthorized parts or failure to follow maintenance instructions may create a risk of electric shock or injury.
3. Do not incinerate this fan, even if it is severely damaged. The batteries can explode in a fire. Dispose of the fan in accordance with the local regulations.

# **BATTERY CARTRIDGE**

1. Prevent unintentional starting. Ensure the switch is in the off-position before connecting to battery cartridge, picking up or carrying the appliance. Carrying the appliance with your finger on the switch or energizing appliance that have the switch on invites accidents.
2. Disconnect the battery cartridge from the appliance before making any adjustments, changing accessories, or storing appliance. Such preventive safety measures reduce the risk of starting the appliance accidentally.
3. Recharge only with the charger specified by the manufacturer. A charger that is suitable for one type of battery cartridge may create a risk of fire when used with another battery cartridge.
4. Use appliances only with specifically designated battery cartridge. Use of any other battery cartridge may create a risk of injury and fire.
5. Under abusive conditions, liquid may be ejected from the battery; avoid contact. If contact accidentally occurs, flush with water. If liquid contacts eyes, additionally seek medical help. Liquid ejected from the battery may cause irritation or burns.
6. Do not use a battery cartridge or appliance that is damaged or modified. Damaged or modified batteries may exhibit unpredictable behavior resulting in fire, explosion or risk of injury.
7. Do not expose a battery cartridge or appliance to fire or excessive temperature. Exposure to fire or temperature above 130°C may cause explosion. The temperature of 130°C can be replaced by the temperature of 265°F.
8. Follow all charging instructions and do not charge the battery cartridge or appliance outside of the temperature range specified in the instructions. Charging improperly or at temperatures outside of the specified range may damage the battery and increase the risk of fire.
9. Have servicing performed by a qualified repair person using only identical replacement parts. This will ensure that the safety of the product is maintained.
10. Do not modify or attempt to repair the appliance or the battery cartridge except as indicated in the instructions for use and care.
11. Before using battery cartridge, read all instructions and cautionary markings on (1) battery charger, (2) battery, and (3) product using battery.
12. Do not disassemble battery cartridge.
13. If operating time has become excessively shorter, stop operating immediately. It may result in a risk of overheating, possible burns or even an explosion.

14. If electrolyte gets into your eyes, rinse them out with clear water and seek medical attention right away. It may result in loss of your eyesight.
15. Do not shorten the battery cartridge:
  - (1) Do not touch the terminals with any conductive material.
  - (2) Avoid storing battery cartridge in a container with other metal objects such as nails, coins, etc.
  - (3) Do not expose battery cartridge to water or rain.
16. A battery short can cause a large current flow, overheating, possible burns and even a breakdown.
17. Do not store the appliance and battery cartridge in locations where the temperature may reach or exceed 50°C (122°F).
18. Do not incinerate the battery cartridge even if it is severely damaged or is completely worn out. The battery cartridge can explode in a fire.
19. Be careful not to drop or strike battery.
20. The contained lithium-ion batteries are subject to the Dangerous Goods Legislation requirements. For commercial transports e.g. by third parties, forwarding agents, special requirement on packaging and labeling must be observed. For preparation of the item being shipped, consulting an expert for hazardous material is required. Please also observe possibly more detailed national regulations. Tape or mask off open contacts and pack up the battery in such a manner that it cannot move around in the packaging.
21. Follow your local regulations relating to disposal of battery.
22. Use the batteries only with the products specified by Makita. Installing the batteries to non-compliant products may result in a fire, excessive heat, explosion, or leak of electrolyte.

 **CAUTION:** Only use genuine Makita batteries.

Use of non-genuine Makita batteries, or batteries that have been altered, may result in the battery bursting causing fires, personal injury and damage. It will also void the Makita warranty for the Makita product and charger.

**Tips for maintaining maximum battery life:**

1. Charge the battery cartridge before completely discharged. Always stop the operation and charge the battery cartridge when you notice less power.
2. Never recharge a fully charged battery cartridge. Overcharging shortens the battery service life.
3. Charge the battery cartridge with room temperature at 10°C–40°C (50°F–104°F). Let a hot battery cartridge cool down before charging it.
4. Charge the battery cartridge if you do not use it for a long period (more than six months).

**IN ORDER TO ENSURE THE BATTERY MAXIMUM PERFORMANCE, IT IS RECOMMENDED THAT THE BATTERY CARTRIDGE SHOULD BE CHARGED BEFORE BEING USED FOR THE FIRST TIME.**

# **READ AND SAVE THESE INSTRUCTIONS**



# SYMBOLS

V Volts

A Amperes

⋯ Direct current

## SPECIFICATIONS

This fan is equipped with 3-speed control, fan head oscillation, and auto-off timer functions. Power supply can be with Makita battery cartridge or AC adaptor (optional accessory).

Model:	CF101D		DCF102	
[Rated voltage] Battery cartridge	[10.8 V - 12 V max] BL1016, BL1021B, BL1041B		[14.4 V] BL1430B [18 V] BL1815N, BL1820B, BL1830, BL1830B, BL1840B, BL1850B, BL1860B	
Battery charger	DC10SB, DC10WD, DC18RE		DC18RC, DC18RD, DC18RE, DC18SD, DC18SE, DC18SF	
AC adaptor (optional accessory)	Input	100–240V, 50/60 Hz, 0.6 A max		
	Output	12 V 1.5 A		
Dimensions (L x W x H)	185 x 260 x 284 mm (7-1/4" x 10-1/4" x 11-1/8")		185 x 272 x 284 mm (7-1/4" x 10-3/10" x 11-1/8")	
Net weight (without battery)	1.3 kg (2.8 lbs)		1.3 kg (2.9 lbs)	

### CAUTION

Only use the battery cartridges listed above. Use of any other battery cartridges may cause injury and/or fire.

### Battery running time

Following table refers to some of battery cartridges from Makita. The estimated running time of full charged battery is shown :

Model	Battery cartridge	Air speed		
		Low	Medium	High
CF101D	BL1041B	630 min	380 min	275 min
DCF102	BL1430B	415 min	225 min	175 min
	BL1860B	1270 min	705 min	575 min

### Parts description (Fig. 1-11)

- |                        |                                 |                              |
|------------------------|---------------------------------|------------------------------|
| 1. Power switch button | 2. Wind speed change button     | 3. Auto-off timer button     |
| 4. Oscillation button  | 5. Wind speed indicator         | 6. Auto-off timer indicator  |
| 7. Strap hole          | 8. Release button (DCF102 only) | 9. Battery slot              |
| 10. Hook               | 11. 12V DC socket               | 12. AC adapter               |
| 13. Red indicator      | 14. Button                      | 15. Battery cartridge        |
| 16. Indicator lamp     | 17. Check button                | 18. Screw hole (5/8"-11 UNC) |

# HOW TO OPERATE THE UNIT

## Installing or removing of battery cartridge (Fig. 3)

### CAUTION:

- Always switch off the appliance before installing or removing of the battery cartridge.
- Hold the appliance and the battery cartridge firmly when installing or removing battery cartridge. Failure to hold the appliance and the battery cartridge firmly may cause them to slip off your hands and result in damage to the appliance and battery cartridge and a personal injury.
- Install the battery cartridge fully until the red indicator (13) can not be seen. If not, it may accidentally fall out of the appliance, causing injury to you or someone around you.

To remove the battery cartridge, slide it from the appliance while sliding the button (14).









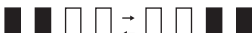
To install the battery cartridge, align the tongue on the battery cartridge with the groove in the housing and slip it into place. Always insert it all the way until it locks in place with a little click. If you can see the red indicator (13) on the upper side of the button, it is not locked completely.

**Do not use force when installing the battery cartridge. If the cartridge does not slide in easily, it is not being inserted correctly.**

## Indicating the remaining battery capacity (Fig. 4)

*Only for battery cartridges with the indicator*

Press the check button (17) on the battery cartridge to indicate the remaining battery capacity. The indicator lamps (16) light up for few seconds.

Indicator lamps			Remaining capacity
 Lighted	 Off	 Blinking	
			75 % to 100 %
			50 % to 75 %
			25 % to 50 %
			0 % to 25 %
			Charge the battery. (For 18 V and 14.4 V batteries only)
			The battery may have malfunctioned. (For 18 V and 14.4 V batteries only)

### NOTE:

- Depending on the conditions of use and the ambient temperature, the indication may differ slightly from the actual capacity.

## Appliance / battery protection system

The appliance is equipped with the protection system. This system automatically cuts off power to the motor to extend appliance and battery life. The appliance will automatically stop during operation if the appliance or battery is placed under one of the following conditions.

- Overload protection : When the appliance is operated in a manner that causes it to draw an abnormally high current, the appliance automatically stops without any indication. In this situation, turn the appliance off and stop the application that caused the appliance to become overloaded. Then turn the appliance on to restart.
- Overheat protection : When the appliance is overheated, the appliance automatically stops. Let the appliance cool down before turning it on again.
- Overdischarge protection : When the battery capacity becomes low, the appliance stops automatically. If the appliance does not operate even when the switches are operated, remove the battery cartridge from the appliance and charge it.

## **Starting / stopping the fan (Fig. 1, 2)**

Push the power switch button (1) to turn on the fan. Push the power switch button again to turn off the fan.

## **Changing wind speed (Fig. 5)**

Push the wind speed change button (2) while the fan is running. The wind speed increases every time you push the button. The wind speed will return to the lowest speed when running in the highest speed.

The cordless fan will start in the same speed as the previous setting.

## **Adjusting fan head angle (Fig. 6, 7)**

The angle of the fan head can be adjusted manually. The range of motion in the fan head is as shown in the figure. For DCF102, press and hold the release button (8) when adjusting the fan head angle.

### **NOTE:**

Do not turn the fan head further than its range of motion.

## **Oscillating the fan head (Fig. 8)**

Push the oscillation button (4) to oscillate the fan head. Push the button again to stop the oscillation.

The fan head begins to oscillate from the current position when the oscillation button is pushed. The fan head oscillates 90-degree angle of range.

### **CAUTION:**

- When oscillating the fan head, keep obstacles clear of the moving range of the fan head. The cordless fan may be pushed and fall by the oscillation.
- Do not stop the oscillation by holding the fan head. Always push the oscillation button to stop.

### **NOTE:**

Depending on the fan head position, the fan head may not oscillate soon after the oscillation button is pushed because of the oscillation mechanism.

## **Auto-off timer (Fig. 9)**

Push the auto-off timer button (3) while the fan is running. The duration to activate auto-off timer changes every time you push the button (1 hour / 2 hours / 4 hours / off).

The number under each auto-off timer indicator shows the remaining hour(s) to turn off the fan. The auto-off timer indicator will turn off with time.

### **NOTE:**

Depending on the battery cartridge type and its remaining capacity, the auto-off timer may be activated earlier than the set time.

## **Hanging the fan (Fig. 10)**

Use the hook (10) on the handle to hang the cordless fan on a pole or other usable places. To prevent the cordless fan accidentally dropped, attach a strap using the strap hole (7) and secure it.

### **CAUTION:**

- Never hook the cordless fan at high locations or on the surfaces where the appliance may lose the balance and fall.
- For hanging the cordless fan, use a hard material such as a metal pole. The diameter of the hooking pole should be smaller than 24 mm (15/16") and withstand 8.0 kg (17.5 lbs). Do not hang the cordless fan higher than 2.3 m.

## **Mounting on a tripod (Fig. 11)**

The cordless fan can be mounted on Makita tripod.

When using the tripod with the threaded shaft 5/8"-11 UNC, mount the cordless fan using the screw hole (18).

## **Using AC adaptor (optional accessory)**

### **WARNING**

- Never use the cordless fan when the cord or plug is damaged.
- Do not handle the plug with wet or greasy hand.
- Do not leave the AC adapter disconnected from the cordless fan while the power is supplied from the mains. Small children may put the live plug in their mouth and cause injury.

Insert the 12V DC plug of AC adaptor into the 12V DC socket (**Fig. 1, 2**), and then plug the AC pins into a main power supply. Make sure that the voltage rating of the main power supply corresponds with that of the adaptor.

**NOTE:**

- After the AC adaptor is connected, the cordless fan may take 3–5 seconds to start.
- The adaptor might creak while using it for the power supply. This doesn't affect normal use.
- The AC adapter does not charge the battery inserted to the cordless fan.

## MAINTENANCE

**WARNING**

- When servicing, ask Makita authorized service centers and with only identical replacement parts. Use of any other parts may create a hazard or cause product damage.
- To avoid serious personal injury, always remove the battery cartridge or AC adapter (optional accessory) from the unit when cleaning or performing any maintenance.
- Allow the cordless fan to cool completely before performing any inspection, maintenance, cleaning procedures or storage.

### General maintenance

After the cordless fan is cooled, use clean clothes to remove dirt, dust, oil, grease etc. Never use gasoline, benzine, thinner, alcohol or the like. Discoloration, deformation or cracks may result.

**WARNING**

- All parts should be replaced at an Authorized Service Center.

### Storage

To prevent fire or burning, allow the cordless fan to cool down completely before you store it. Do not store the discharged battery for long periods, as it can shorten its service life.

**For technical questions, please contact sales agent.**

## OPTIONAL ACCESSORY

**CAUTION:**

These accessories or attachments are recommended for use with your Makita product specified in this manual. The use of any other accessories or attachments might present a risk of injury to persons. Only use accessory or attachment for its stated purpose.

If you need any assistance for more details regarding these accessories, ask your local Makita Service Center.

- AC adaptor
- Makita genuine battery and charger

**NOTE:**

Some items in the list may be included in the appliance package as standard accessories. They may differ from country to country.

### MAKITA LIMITED WARRANTY

Please refer to the annexed warranty sheet for the most current warranty terms applicable to this product. If annexed warranty sheet is not available, refer to the warranty details set forth at below website for your respective country.

- United States of America: [www.makitatools.com](http://www.makitatools.com)
- Canada: [www.makita.ca](http://www.makita.ca)
- Other countries: [www.makita.com](http://www.makita.com)

## Français

Afin d'éviter toute blessure grave, vous devez lire et comprendre tous les avertissements et instructions avant l'utilisation.

Vous aurez besoin de ce manuel pour les consignes de sécurité, les précautions à prendre et les procédures de montage, d'utilisation, d'inspection et d'entretien. Gardez ce manuel dans un emplacement sûr et sec pour consultation ultérieure.

### AVERTISSEMENTS ET CONSIGNES DE SÉCURITÉ

# IMPORTANTES CONSIGNES DE SÉCURITÉ

Lors de l'utilisation d'un appareil électrique, certaines précautions élémentaires doivent toujours être prises, dont les suivantes :

## VEUILLEZ LIRE TOUTES LES INSTRUCTIONS AVANT D'UTILISER CET APPAREIL.

**MISE EN GARDE** - Pour réduire les risques d'incendie, de décharge électrique ou de blessure :

1. Ne pas exposer à la pluie. Ranger à l'intérieur.
2. Ne pas permettre l'utilisation comme jouet. Une attention particulière est requise lors de l'utilisation par ou près des enfants.
3. Utiliser exclusivement de la façon décrite dans ce manuel. Utiliser uniquement les pièces recommandées par le fabricant.
4. Ne pas utiliser avec une batterie endommagée. Si l'appareil ne fonctionne pas comme il devrait après avoir été échappé, endommagé, laissé dehors ou échappé dans l'eau, envoyez-le à notre centre de service après-vente.
5. Ne pas manier l'appareil avec les mains mouillées.
6. Ne mettre aucun objet dans les ouvertures.
7. Garder les cheveux, les vêtements amples, les doigts et toutes les parties du corps à l'écart des ouvertures et des pièces en mouvement.
8. Désactiver toutes les commandes avant de retirer la batterie.
9. Utiliser uniquement l'adaptateur secteur ou le chargeur fourni par le fabricant. Les accessoires adéquats pour un ventilateur sans fil donné peuvent présenter un danger s'ils sont utilisés sur d'autres ventilateurs.
10. Ne pas charger les batteries à l'extérieur.
11. Cet appareil n'est pas conçu pour l'utilisation par des personnes (y compris les enfants) atteintes d'un handicap physique, sensoriel ou mental, ainsi que par des personnes ne possédant pas l'expérience et les connaissances nécessaires, à moins qu'elles ne soient supervisées ou n'aient reçu des instructions sur l'utilisation de l'appareil par une personne responsable de leur sécurité.

12. Les enfants doivent être surveillés pour s'assurer qu'ils ne jouent pas avec l'appareil.
13. Ne pas exposer au feu ou à des températures élevées.
14. Ne pas utiliser près de flammes nues, de braises vives ou d'atmosphères explosives telles que celles qui contiennent des liquides, gaz ou poussières inflammables. Les ventilateurs sans fil produisent des étincelles qui peuvent allumer les poussières ou émanations.
15. Pour réduire le risque d'incendie ou de décharge électrique, n'utiliser ce ventilateur avec aucun dispositif de commande de vitesse à semi-conducteurs.
16. Ne jamais utiliser le ventilateur sans fil dans une salle de bain ou autre emplacement humide.
17. Ce ventilateur sans fil est conçu uniquement pour l'usage intérieur. Ne jamais utiliser le ventilateur sans fil dehors.
18. Cet appareil est conçu pour un usage domestique.
19. Veuillez lire attentivement ce manuel d'instructions et celui du chargeur avant l'utilisation.
20. Cessez immédiatement l'utilisation en cas d'anomalie.
21. Si vous échappez ou heurtez le ventilateur, vérifiez soigneusement l'absence de fissures ou de dommages avant de poursuivre son utilisation.
22. Ne pas approcher le ventilateur sans fil des poêles ou autres sources de chaleur.
23. Ne pas l'utiliser s'il est cassé, plié ou fissuré, ou si des pièces sont endommagées. Tout ventilateur sans fil qui présente des signes d'endommagement ou de fonctionnement anormal doit être immédiatement mis hors service. Inspectez l'appareil avant chaque utilisation.
24. Ne pas laisser le ventilateur sans fil sans surveillance lorsqu'il est sous tension.
25. Ne pas maltraiter l'adaptateur secteur. Ne jamais utiliser le cordon de l'adaptateur pour transporter le ventilateur, ni tirer sur le cordon au lieu de la fiche pour la débrancher de la prise de courant. Gardez l'adaptateur secteur à l'écart de la chaleur, de l'huile, des bords tranchants et des pièces en mouvement. Remplacez immédiatement l'adaptateur s'il est endommagé. Le risque de choc électrique peut être plus élevé avec un adaptateur endommagé.

## **UTILISATION ET ENTRETIEN DU VENTILATEUR SANS FIL**

1. Utilisez un ventilateur sans fil bien adapté au type d'usage que vous en ferez. Ne pas utiliser le ventilateur pour un usage pour lequel il n'a pas été conçu.
2. Le ventilateur sans fil peut être alimenté par une batterie Li-ion Makita désignée dans la section « SPÉCIFICATIONS » de ce manuel d'instructions ou par un adaptateur secteur disponible comme accessoire en option. L'utilisation de tout autre type de batterie comporte un risque d'incendie. Rechargez les batteries uniquement avec le chargeur spécifié. Un chargeur adéquat pour un certain type de batterie peut entraîner un risque d'incendie lorsqu'il est utilisé avec un autre type de batterie.
3. Après l'utilisation, rangez le ventilateur sans fil hors de portée des enfants et des personnes non familières avec son utilisation.

4. Avant de ranger le ventilateur, retirez la batterie et débranchez l'adaptateur secteur (accessoire en option) de sa source d'alimentation. Ces mesures préventives peuvent réduire le risque de démarrage accidentel du ventilateur. Avant d'effectuer tout travail d'inspection, d'entretien ou de nettoyage, retirez toujours la batterie et débranchez le ventilateur de sa prise de courant.
5. Lorsque la batterie n'est pas utilisée, gardez-la à l'écart des autres objets métalliques. Un court-circuit des bornes de batterie peut produire des étincelles, causer des blessures ou provoquer un incendie.
6. Débranchez l'appareil et laissez-le refroidir avant d'en faire le nettoyage ou la maintenance.
7. Restez prudent même si vous êtes familier avec l'utilisation de l'appareil. N'oubliez pas qu'une fraction de seconde d'inattention suffit pour entraîner une grave blessure.
8. Lorsque vous insérez ou retirez la batterie, ou lorsque vous branchez ou débranchez l'adaptateur secteur (accessoire en option), mettez toujours le ventilateur sans fil sur une surface plane et stable.
9. Ne pas utiliser de batteries, pièces ou accessoires non recommandés par le fabricant de cet appareil. L'utilisation de batteries, fixations ou accessoires non recommandés peut entraîner une blessure grave.

## RÉPARATION

1. La réparation du ventilateur sans fil ne doit être effectuée que par un personnel qualifié. L'exécution de la réparation ou de la maintenance par un personnel non qualifié comporte un risque de blessure.
2. Pour réparer un ventilateur sans fil, utilisez uniquement des pièces de rechange identiques aux pièces originales. L'utilisation de pièces non autorisées ou l'ignorance des instructions de maintenance peuvent comporter un risque de choc électrique ou de blessure.
3. N'incinerez pas ce ventilateur, même s'il est sérieusement endommagé. Les batteries peuvent exploser dans le feu. Respectez la réglementation locale pour la mise au rebut du ventilateur.

## BATTERIE

1. Prévenez le démarrage accidentel. Assurez-vous que l'interrupteur est en position d'arrêt avant de connecter la batterie, de saisir l'appareil ou de le transporter. Transporter l'appareil avec le doigt sur l'interrupteur ou mettre l'appareil sous tension alors que l'interrupteur est en position de marche ouvre la porte aux accidents.
2. Retirez la batterie de l'appareil avant d'effectuer tout réglage, de remplacer les accessoires ou de ranger l'appareil. Ces mesures préventives de sécurité réduiront le risque de démarrage accidentel de l'appareil.
3. Ne rechargez la batterie qu'avec le chargeur spécifié par le fabricant. Un chargeur qui convient à un type donné de batterie peut présenter un risque d'incendie lorsque utilisé avec un autre type de batterie.
4. Utilisez l'appareil uniquement avec la batterie spécifiquement désignée. L'utilisation de toute autre batterie peut entraîner un risque de blessure et d'incendie.

5. Dans des conditions d'utilisation abusives, du liquide peut être éjecté de la batterie ; évitez tout contact. En cas de contact accidentel, rincez à l'eau. Si le liquide pénètre dans les yeux, consultez un médecin. Le liquide éjecté de la batterie peut causer de l'irritation ou des brûlures.
6. Ne pas utiliser de batterie ou d'appareil endommagé ou modifié. Les batteries endommagées ou modifiées peuvent se comporter de manière imprévisible et entraîner un incendie, une explosion ou un risque de blessure.
7. Ne pas exposer la batterie ou l'appareil au feu ou à une température excessive. L'exposition au feu ou à une température supérieure à 130 °C peut provoquer une explosion. La température de 130 °C peut être remplacée par la température de 265 °F.
8. Suivez toutes les instructions de charge, et respectez les plages de température de charge de la batterie ou de l'appareil spécifiées dans les instructions. Effectuer la charge de manière inadéquate ou à une température hors de la plage spécifiée peut endommager la batterie et faire augmenter le risque d'incendie.
9. Veillez à ce que les réparations soient effectuées par un réparateur qualifié qui n'utilise que des pièces de rechange identiques aux pièces d'origine. Cela assurera le maintien de la sécurité du produit.
10. Ne pas modifier ou essayer de réparer l'appareil ou la batterie autrement que tel qu'indiqué dans les instructions d'utilisation et d'entretien.
11. Avant d'utiliser la batterie, veuillez lire toutes les instructions et tous les avertissements inscrits sur (1) le chargeur de batterie, (2) la batterie et (3) le produit alimenté par la batterie.
12. Ne pas démonter la batterie.
13. Si l'autonomie de la batterie devient très courte, cessez immédiatement l'utilisation. Autrement il y a risque de surchauffe, de brûlures, voire d'explosion.
14. Si de l'électrolyte pénètre dans vos yeux, rincez-les à l'eau claire et consultez immédiatement un médecin. Autrement il y a risque de perte de la vue.
15. Ne pas court-circuiter la batterie :
  - (1) Ne pas toucher les bornes avec un objet conducteur.
  - (2) Éviter de ranger la batterie dans un contenant avec d'autres objets métalliques tels que clous, pièces de monnaie, etc.
  - (3) Ne pas exposer la batterie à l'eau ou à la pluie.
16. Le court-circuit de la batterie peut causer un fort débit de courant, une surchauffe, d'éventuelles brûlures, voire une panne.
17. Ne pas ranger l'appareil et la batterie dans des emplacements où la température peut atteindre ou dépasser 50 °C (122 °F).
18. Ne pas jeter la batterie au feu même si elle est gravement endommagée ou complètement usée. La batterie risquerait d'éclater et de s'enflammer.
19. Évitez d'échapper ou de heurter la batterie.
20. Les batteries lithium-ion fournies sont soumises aux exigences de la législation sur les marchandises dangereuses. Des exigences spéciales d'emballage et d'étiquetage doivent être respectées lors du transport commercial par des tiers, des transitaires, etc. Pour préparer la marchandise à expédier, il est nécessaire de consulter un expert en matériaux dangereux. Respectez aussi les éventuelles réglementations nationales plus détaillées. Recouvrez de ruban isolant les contacts exposés, et emballez la batterie de sorte qu'elle ne puisse pas se déplacer à l'intérieur de l'emballage.
21. Respectez la réglementation locale en matière d'élimination des batteries.



22. N'utilisez les batteries qu'avec les produits spécifiés par Makita. Installer les batteries sur des produits non conformes peut entraîner un incendie, une chaleur excessive, une explosion ou une fuite d'électrolyte.

**⚠ ATTENTION :** Utilisez exclusivement les batteries fabriquées par Makita. Les batteries autres que celles fabriquées par Makita ou les batteries modifiées peuvent exploser et causer un incendie, une blessure ou des dommages. Cela annulera également la garantie Makita pour le produit et le chargeur Makita.

Conseils pour assurer la durée de service optimale de la batterie :

1. Chargez la batterie avant qu'elle ne soit complètement déchargée. Lorsque vous constatez une perte de puissance, cessez toujours l'utilisation et chargez la batterie.
2. Ne rechargez jamais une batterie déjà complètement chargée. La surcharge réduit la durée de service de la batterie.
3. Chargez la batterie à la température ambiante intérieure d'une pièce, sur une plage de 10 °C à 40 °C (50 °F à 104 °F). Si la batterie est chaude, laissez-la refroidir avant de la charger.
4. Chargez la batterie si vous la laissez inutilisée pendant une période prolongée (plus de six mois).

**POUR ASSURER LE RENDEMENT OPTIMAL DE LA BATTERIE, IL EST RECOMMANDÉ DE CHARGER LA BATTERIE AVANT LA PREMIÈRE UTILISATION.**

# VEUILLEZ LIRE ET CONSERVEZ CES INSTRUCTIONS

## SYMBOLES

V Volts

---

A Ampères

---

— Courant continu

---

# SPÉCIFICATIONS

Ce ventilateur est doté de fonctions de commande à 3 vitesses, d'oscillation de la tête de ventilation et de minuterie d'arrêt automatique. La source d'alimentation peut être une batterie Makita ou un adaptateur secteur (accessoire en option).

Modèle :		CF101D	DCF102
[Tension nominale] Batterie		[10,8 V - 12 V max.] BL1016, BL1021B, BL1041B	[14,4 V] BL1430B [18 V] BL1815N, BL1820B, BL1830, BL1830B, BL1840B, BL1850B, BL1860B
Chargeur de batterie		DC10SB, DC10WD, DC18RE	DC18RC, DC18RD, DC18RE, DC18SD, DC18SE, DC18SF
Adaptateur secteur (accessoire en option)	Entrée	100–240 V, 50/60 Hz, 0,6 A max.	
	Sortie	12 V 1,5 A	
Dimensions (L x P x H)		185 x 260 x 284 mm (7-1/4" x 10-1/4" x 11-1/8")	185 x 272 x 284 mm (7-1/4" x 10-3/10" x 11-1/8")
Poids net (sans batterie)		1,3 kg (2,8 lb)	1,3 kg (2,9 lb)

## ATTENTION

Utilisez uniquement les batteries énumérées ci-dessus. L'utilisation de toute autre batterie peut causer une blessure et/ou un incendie.

## Autonomie de la batterie

Le tableau suivant fait référence à quelques-unes des batteries Makita. L'estimation de l'autonomie d'une batterie complètement chargée est indiquée :

Modèle	Batterie	Vitesse du flux d'air		
		Basse	Moyenne	Élevée
CF101D	BL1041B	630 min	380 min	275 min
DCF102	BL1430B	415 min	225 min	175 min
	BL1860B	1270 min	705 min	575 min

## Description des pièces (Fig. 1-11)

- |                                |  |  |
|--------------------------------|--|--|
| 1. Interrupteur d'alimentation | 2. Bouton de changement de vitesse du flux d'air | 3. Bouton de minuterie d'arrêt automatique     |
| 4. Bouton d'oscillation        | 5. Indicateur de vitesse du flux d'air           | 6. Indicateur de minuterie d'arrêt automatique |
| 7. Trou pour sangle            | 8. Bouton de libération (DCF102 uniquement)      | 9. Logement à batterie                         |
| 10. Crochet                    | 11. Prise 12 V CC                                | 12. Adaptateur secteur                         |
| 13. Voyant rouge               | 14. Bouton                                       | 15. Batterie                                   |
| 16. Témoins                    | 17. Bouton de vérification                       | 18. Trou de vis (5/8"-11 UNC)                  |

# UTILISATION DE L'APPAREIL

## Pose ou retrait de la batterie (Fig. 3)

### ATTENTION :

- Éteignez toujours l'appareil avant d'insérer ou de retirer la batterie.
- Tenez l'appareil et la batterie fermement en insérant ou retirant la batterie. S'ils ne sont pas tenus fermement, l'appareil et la batterie peuvent vous glisser des mains et subir des dommages ou entraîner une blessure.
- Insérez la batterie à fond, jusqu'à ce que le voyant rouge (13) ne soit plus visible. Autrement, elle risque de tomber accidentellement de l'appareil et d'entraîner des blessures.

Pour retirer la batterie, glissez-la hors de l'appareil en faisant glisser le bouton (14).










Pour poser la batterie, alignez sa languette sur la rainure à l'intérieur du carter, et faites-la glisser en place. Insérez-la toujours à fond, jusqu'à ce qu'elle se mette en place avec un léger dé clic. Si vous pouvez voir le voyant rouge (13) sur le dessus du bouton, la batterie n'est pas complètement verrouillée.

**Ne forcez pas pour poser la batterie. Si elle ne glisse pas facilement, c'est que vous ne l'insérez pas correctement.**

## Indication de la charge restante de la batterie (Fig. 4)

*Uniquement pour les batteries avec voyant*

Appuyez sur le bouton de vérification (17) de la batterie pour indiquer la capacité restante de la batterie. Les témoins (16) s'allument pendant quelques secondes.

Témoins			Capacité restante
 Allumé	 Éteint	 Clignotant	
			75 % à 100 %
			50 % à 75 %
			25 % à 50 %
			0 % à 25 %
			Chargez la batterie. (Pour les batteries de 18 V et 14,4 V uniquement)
			La batterie a peut-être mal fonctionné. (Pour les batteries de 18 V et 14,4 V uniquement)

### NOTE :

- Suivant les conditions d'utilisation et la température ambiante, il se peut que l'indication soit légèrement différente de la charge restante réelle.

## Dispositif de protection de l'appareil / la batterie

L'appareil est doté d'un dispositif de protection. Ce dispositif coupe automatiquement l'alimentation du moteur pour prolonger la durée de service de l'appareil et de la batterie. L'appareil s'arrêtera automatiquement pendant l'utilisation si l'appareil ou la batterie se trouve dans l'une ou l'autre des situations suivantes.

- Protection contre la surcharge : Lorsque l'appareil est utilisé d'une façon qui lui fait consommer une quantité anormale de courant, il s'arrête automatiquement sans aucune indication. Le cas échéant, éteignez l'appareil et cessez l'application qui a causé la surcharge de l'appareil. Redémarrez ensuite l'appareil.
- Protection contre la surchauffe : Lorsque l'appareil surchauffe, il s'arrête automatiquement. Laissez refroidir l'appareil avant de le rallumer.
- Protection contre la décharge excessive : Lorsque la charge de la batterie devient basse, l'appareil s'arrête automatiquement. Si l'appareil ne fonctionne pas même si vous activez les commandes, retirez la batterie de l'appareil et chargez-la.

## **Démarrage et arrêt du ventilateur (Fig. 1, 2)**

Appuyez sur l'interrupteur d'alimentation (1) pour allumer le ventilateur. Appuyez de nouveau sur l'interrupteur d'alimentation pour éteindre le ventilateur.

## **Modification de la vitesse du flux d'air (Fig. 5)**

Appuyez sur le bouton de changement de vitesse du flux d'air (2) pendant que le ventilateur tourne. La vitesse du flux d'air augmente chaque fois que vous appuyez sur le bouton. Le flux d'air revient à la vitesse la plus basse lorsque vous appuyez alors que le ventilateur tourne à la vitesse la plus élevée. Le ventilateur sans fil redémarre à la même vitesse que lors du réglage précédent.

## **Réglage de l'angle de tête de ventilation (Fig. 6, 7)**

L'angle de tête de ventilation peut être réglé manuellement. La plage de mouvement de la tête de ventilation est telle qu'indiquée sur la figure.

Pour le modèle DCF102, maintenez enfoncé le bouton de libération (8) pendant le réglage de l'angle de tête de ventilation.

### **NOTE :**

Ne tournez pas la tête de ventilation au-delà de cette plage de mouvement.

## **Oscillation de la tête de ventilation (Fig. 8)**

Appuyez sur le bouton d'oscillation (4) pour faire osciller la tête de ventilation. Appuyez de nouveau sur le bouton pour faire cesser l'oscillation.

La tête de ventilation se met à osciller depuis sa position actuelle lors de la pression sur le bouton d'oscillation. La tête de ventilation oscille sur une plage de 90 degrés.

### **ATTENTION :**

- Lorsque vous faites osciller la tête de ventilation, gardez tout obstacle à l'écart de la plage de déplacement de la tête de ventilation. Autrement, le ventilateur sans fil risque de tomber s'il heurte un obstacle en oscillant.
- N'arrêtez pas l'oscillation en retenant la tête de ventilation. Pour l'arrêter, appuyez toujours sur le bouton d'oscillation.

### **NOTE :**

Selon la position de la tête de ventilation, il se peut qu'elle n'oscille pas juste après la pression sur le bouton d'oscillation, en raison du mécanisme d'oscillation.

## **Minuterie d'arrêt automatique (Fig. 9)**

Appuyez sur le bouton de minuterie d'arrêt automatique (3) pendant que le ventilateur tourne. La durée d'activation de la minuterie d'arrêt automatique change à chaque pression sur le bouton (1 heure / 2 heures / 4 heures / désactivée).

Le numéro inscrit sous chaque indicateur de minuterie d'arrêt automatique indique le nombre d'heures restantes avant l'arrêt du ventilateur. L'indicateur de minuterie d'arrêt automatique s'éteindra une fois ce temps écoulé.

### **NOTE :**

Suivant le type de batterie et sa charge restante, il se peut que la minuterie d'arrêt automatique soit activée plus tôt que le temps spécifié.

## **Accrochage du ventilateur (Fig. 10)**

Utilisez le crochet (10) de la poignée pour accrocher le ventilateur sans fil à une tige ou tout autre emplacement utilisable. Pour prévenir la chute accidentelle du ventilateur sans fil, faites passer une sangle dans le trou pour sangle (7) et fixez le ventilateur à l'aide de cette sangle.

### **ATTENTION :**

- N'accrochez jamais le ventilateur sans fil dans un emplacement élevé ou à une surface où l'appareil risque d'être déséquilibré et de tomber.
- Pour accrocher le ventilateur sans fil, utilisez un matériau dur tel qu'une tige métallique. Le diamètre de la tige d'accrochage doit être inférieur à 24 mm (15/16") et elle doit pouvoir supporter 8,0 kg (17,5 lb). N'accrochez pas le ventilateur sans fil plus haut que 2,3 m.

## **Montage sur un trépied (Fig. 11)**

Le ventilateur sans fil peut être monté sur un trépied Makita.

Si vous utilisez le trépied avec l'arbre fileté 5/8"-11 UNC, montez le ventilateur sans fil en utilisant le trou de vis (18).

## Utilisation de l'adaptateur secteur (accessoire en option)

### MISE EN GARDE

- Ne jamais utiliser le ventilateur sans fil si le cordon ou sa fiche est endommagé.
- Ne pas manipuler la fiche avec les mains mouillées ou grasses.
- Ne pas laisser l'adaptateur secteur déconnecté du ventilateur sans fil pendant qu'il est alimenté par une prise secteur. Les jeunes enfants pourraient se blesser en mettant la fiche sous tension dans leur bouche.

Insérez la fiche 12 V CC de l'adaptateur secteur dans la prise 12 V CC (Fig. 1, 2), puis branchez les lames de l'adaptateur secteur dans une prise de courant. Assurez-vous que la tension nominale de l'alimentation principale correspond à celle de l'adaptateur.

### NOTE :

- Le ventilateur sans fil peut mettre de 3 à 5 secondes à démarrer après le branchement de l'adaptateur secteur.
- Il se peut que l'adaptateur grince pendant son utilisation comme source d'alimentation. Cela n'affecte pas son fonctionnement normal.
- L'adaptateur secteur ne charge pas la batterie insérée dans le ventilateur sans fil.

## MAINTENANCE

### MISE EN GARDE

- Pour les réparations, faites appel à un centre de service après-vente agréé Makita ; celui-ci réparera l'appareil avec des pièces de rechange identiques aux pièces originales. L'utilisation de toute autre pièce peut être dangereuse ou endommager l'appareil.
- Pour éviter de vous blesser grièvement, retirez toujours la batterie ou l'adaptateur secteur (accessoire en option) de l'appareil avant d'effectuer son nettoyage ou son entretien.
- Laissez refroidir complètement le ventilateur sans fil avant de le ranger ou d'effectuer tout travail d'inspection, d'entretien ou de nettoyage.

### Entretien général

Une fois le ventilateur sans fil refroidi, utilisez un linge propre pour enlever les saletés, les poussières, l'huile, la graisse, etc. Ne jamais utiliser d'essence, de benzine, de diluant, d'alcool ou autre produit similaire. Une décoloration, une déformation ou la formation de fissures peuvent en résulter.

### MISE EN GARDE

- Toutes les pièces doivent être remplacées dans un centre de service après-vente agréé.

### Rangement

Pour prévenir les incendies ou les brûlures, laissez complètement refroidir le ventilateur sans fil avant de le ranger. Ne pas ranger trop longtemps une batterie déchargée, car cela peut réduire sa durée de service.

**Pour toute question de nature technique, veuillez contacter l'agent de vente.**

## ACCESSOIRE EN OPTION

### ATTENTION :

Ces accessoires ou pièces sont recommandés pour l'utilisation avec le produit Makita spécifié dans ce manuel. L'utilisation de tout autre accessoire ou pièce peut présenter un risque de blessures. N'utilisez les accessoires ou pièces qu'aux fins auxquelles ils ont été conçus.

Si vous désirez obtenir plus de détails sur ces accessoires, veuillez contacter le centre de service après-vente Makita le plus près.

- Adaptateur secteur
- Chargeur et batterie authentiques Makita

### NOTE :

Certains éléments de la liste peuvent être compris dans l'emballage de l'appareil en tant qu'accessoires standard. Ils peuvent varier suivant les pays.

## **GARANTIE LIMITÉE MAKITA**

Veillez consulter la feuille de garantie ci-jointe pour connaître les plus récents termes de garantie qui s'appliquent à ce produit. Si la feuille de garantie ci-jointe n'est pas disponible, reportez-vous aux détails de garantie indiqués sur le site Web ci-dessous pour votre pays.

- États-Unis d'Amérique : [www.makitatools.com](http://www.makitatools.com)
- Canada : [www.makita.ca](http://www.makita.ca)
- Autres pays : [www.makita.com](http://www.makita.com)

Para evitar heridas graves, lea y entienda todas las advertencias e instrucciones antes de utilizarlo. Usted necesitará este manual para ver lo relacionado con las advertencias y precauciones de seguridad, el ensamble, la operación, y los procedimientos de inspección y mantenimiento. Guarde este manual en un lugar seguro y seco para consultarlo en el futuro.

## ADVERTENCIA Y NORMAS DE SEGURIDAD

# INSTRUCCIONES IMPORTANTES DE SEGURIDAD

Cuando utilice un aparato eléctrico, deberá observar siempre unas precauciones básicas, incluyendo lo siguiente:

## LEA TODAS LAS INSTRUCCIONES ANTES DE UTILIZAR ESTE APARATO.

**ADVERTENCIA** - Para reducir el riesgo de incendio, descarga eléctrica o lesiones:

1. No lo exponga a la lluvia. Almacénelo en interiores.
2. No permita que sea utilizado como juguete. Es necesario prestar buena atención cuando sea utilizado por o cerca de niños.
3. Utilícelo solamente como se describe en este manual. Utilice solamente acoplamientos recomendados por el fabricante.
4. No lo utilice con una batería dañada. Si el aparato no funciona correctamente, se le ha caído, está dañado, se ha dejado en exteriores o se le ha caído al agua, llévelo a nuestro centro de servicio.
5. No maneje el aparato con las manos mojadas.
6. No ponga ningún objeto en las aberturas.
7. Mantenga el cabello, ropa holgada, dedos y todas las partes de su cuerpo alejados de las aberturas y las partes en movimiento.
8. Apague todos los controles antes de extraer la batería.
9. Utilice solamente el adaptador de CA o el cargador suministrados por el fabricante. Los accesorios que pueden ser apropiados para un ventilador inalámbrico, pueden resultar peligrosos cuando se utilicen en otros.
10. No cargue la batería en exteriores.
11. Este aparato no ha sido pensado para ser usado por personas (incluidos niños) con sus capacidades físicas, sensoriales o mentales mermadas, o sin experiencia y conocimiento, a menos que una persona responsable de su seguridad las supervise o les dé instrucciones sobre el uso del aparato.
12. Los niños pequeños deberán ser supervisados para asegurarse de que no juegan con el aparato.
13. No lo exponga al fuego ni a altas temperaturas.

14. No lo utilice cerca de llamas libres, brasas fulgurantes ni en atmósferas explosivas, tales como en presencia de líquidos, gases o polvo inflamables. Los ventiladores inalámbricos crean chispas que pueden prender fuego al polvo o los gases.
15. Para reducir el riesgo de incendio o descarga eléctrica, no utilice este ventilador con ningún dispositivo de control de velocidad en estado sólido.
16. Nunca utilice el ventilador inalámbrico en lugares húmedos tal como en un baño.
17. Este ventilador inalámbrico debe usarse únicamente en interiores. Nunca utilice el ventilador inalámbrico en exteriores.
18. Este aparato está pensado para ser utilizado en el hogar.
19. Lea este manual de instrucciones y el manual del cargador atentamente antes de utilizarlo.
20. Detenga la operación inmediatamente si nota algo anormal.
21. Si deja caer o golpea el ventilador, compruébelo atentamente para ver si tiene grietas o daños antes de utilizarlo.
22. No acerque el ventilador inalámbrico a estufas ni a otras fuentes de calor.
23. No lo utilice si está roto, doblado, agrietado o si hay partes que están dañadas. Cualquier ventilador inalámbrico que parezca estar dañado de cualquier manera o que su funcionamiento no sea normal se deberá dejar de utilizar inmediatamente. Inspecciónelo antes de cada utilización.
24. No deje el ventilador inalámbrico funcionando y desatendido.
25. No maltrate el adaptador de CA. No utilice nunca el cable del adaptador para transportar el ventilador ni para desenchufar la clavija de la toma de corriente. Mantenga el adaptador de CA alejado del calor, aceite, bordes cortantes o partes en movimiento. Reemplace el adaptador dañado inmediatamente. El adaptador dañado aumentará el riesgo de que se produzca una descarga eléctrica.

## **USO Y CUIDADO DEL VENTILADOR INALÁMBRICO**

1. Utilice el ventilador inalámbrico correcto para su aplicación. No utilice el ventilador con un propósito para el que no ha sido pensado.
2. El ventilador inalámbrico puede funcionar con el cartucho de batería de ion de litio de Makita que se indica en la sección “ESPECIFICACIONES” de este manual de instrucciones o con el adaptador de CA suministrado como accesorio opcional. La utilización de cualquier otra batería puede crear un riesgo de incendio. Recargue la batería solamente con el cargador especificado. Un cargador que puede ser adecuado para cierto tipo de batería podría ocasionar riesgo de incendio si se utiliza con otro tipo de batería.
3. Guarde el ventilador inalámbrico que no esté utilizando fuera del alcance de los niños y otras personas no preparadas.



4. Desconecte el cartucho de batería y el adaptador de CA (accesorio opcional) de la fuente de alimentación antes de guardar el ventilador. Tales medidas de seguridad preventiva podrán reducir el riesgo de que el ventilador pueda ser puesto en marcha accidentalmente. Extraiga siempre el cartucho de batería y desconecte el ventilador de la toma de corriente eléctrica antes de realizar cualquier procedimiento de inspección, mantenimiento o limpieza.
5. Cuando el cartucho de batería no esté siendo utilizado, manténgalo alejado de otros objetos metálicos. Si se cortocircuitan los terminales de la batería podrán producirse chispas, quemaduras o un incendio.
6. Desenchufe la unidad y deje que se enfríe antes de intentar realizar cualquier tipo de limpieza o mantenimiento.
7. No permita que la familiaridad con los aparatos lo vuelvan descuidado. Recuerde que un descuido de una fracción de segundo es suficiente para infligirle graves heridas.
8. Cuando vaya a insertar/extraer la batería o conectar/desconectar el adaptador de CA (accesorio opcional), coloque siempre el ventilador inalámbrico sobre una superficie plana y estable.
9. No utilice baterías, aditamentos ni accesorios que no estén recomendados por el fabricante de este aparato. El uso de baterías, aditamentos o accesorios no recomendados podrían ocasionar lesiones personales graves.

## **SERVICIO**

1. El servicio del ventilador inalámbrico deberá ser realizado solamente por personal de reparación cualificado. Un servicio o mantenimiento realizado por personal no cualificado podrá resultar en un riesgo de sufrir heridas.
2. Cuando haga el servicio al ventilador inalámbrico, utilice solamente piezas de repuesto idénticas. La utilización de piezas no autorizadas o el no seguir las instrucciones de mantenimiento puede crear un riesgo de descarga eléctrica o heridas.
3. No incinere este ventilador aun si está seriamente dañado. Las baterías podrían explotar al entrar en contacto con el fuego. Deseche el ventilador en conformidad con las disposiciones locales.

## **CARTUCHO DE BATERÍA**

1. Evite un arranque accidental. Asegúrese de que el interruptor esté en la posición apagada antes de conectar el cartucho de batería y levantar o cargar el aparato. Cargar el aparato con su dedo en el interruptor o encender el aparato con el interruptor activado puede provocar accidentes.
2. Desconecte el cartucho de batería del aparato antes de hacer cualquier ajuste, cambiar accesorios o guardar el aparato. Estas medidas de seguridad preventivas reducirán el riesgo de poner en marcha el aparato de manera accidental.
3. Recargue el aparato únicamente con el cargador especificado por el fabricante. Un cargador que es adecuado para un tipo de cartucho de batería puede generar riesgo de incendio al ser utilizado con otro cartucho de batería.

4. Utilice los aparatos únicamente con el cartucho de batería específicamente designado para estos. El uso de cualquier otro cartucho de batería podría ocasionar un riesgo de lesiones o incendio.
5. En situaciones de mal uso, podría escaparse líquido de la batería; evite el contacto. En caso de contacto accidental, enjuague con agua. Si el líquido entra en contacto con los ojos, solicite adicionalmente atención médica. El líquido que sale de la batería puede ocasionar irritaciones o quemaduras.
6. No utilice un cartucho de batería ni aparato que esté dañado o modificado. Las baterías dañadas o modificadas pueden comportarse impredeciblemente provocando un incendio, explosión o riesgo de lesión.
7. No exponga un cartucho de batería ni aparato al fuego o a una temperatura excesiva. La exposición al fuego o a una temperatura superior a 130°C podría ocasionar una explosión. La temperatura de 130°C puede ser reemplazada por la temperatura de 265°F.
8. Siga todas las instrucciones para la carga y no cargue el cartucho de batería ni el aparato fuera del rango de temperatura especificado en las instrucciones. Realizar la carga de manera inapropiada o a temperaturas fuera del rango especificado podría dañar la batería e incrementar el riesgo de incendio.
9. El servicio lo debe realizar un técnico calificado usando únicamente piezas de repuesto originales. Esto garantizará que se mantenga la seguridad del producto.
10. No modifique ni intente reparar el aparato ni el cartucho de batería, salvo que se indique lo contrario en las instrucciones de uso y cuidado.
11. Antes de utilizar el cartucho de batería, lea todas las instrucciones e indicaciones de precaución sobre (1) el cargador de baterías, (2) la batería, y (3) el producto con el que se utiliza la batería.
12. No desarme el cartucho de batería.
13. Si el tiempo de uso del cartucho de batería se acorta demasiado, deje de usarlo inmediatamente. Podría resultar en un riesgo de sobrecalentamiento, posibles quemaduras o incluso una explosión.
14. Si entra electrolito en sus ojos, aclárelos con agua limpia y acuda a un médico inmediatamente. Existe el riesgo de poder perder la vista.
15. No cortocircuite el cartucho de batería:
  - (1) No toque los terminales con ningún material conductor.
  - (2) Evite guardar el cartucho de batería en un contenedor junto con otros objetos metálicos tales como clavos, monedas, etc.
  - (3) No exponga el cartucho de batería al agua ni a la lluvia.
16. Un cortocircuito en la batería puede producir una gran circulación de corriente, un sobrecalentamiento, posibles quemaduras e incluso una rotura de la misma.
17. No guarde el aparato ni el cartucho de batería en lugares donde la temperatura pueda alcanzar o rebasar los 50°C (122°F).
18. Nunca incinere el cartucho de batería incluso en el caso de que esté dañado seriamente o ya no sirva en absoluto. El cartucho de batería puede explotar si se tira al fuego.
19. Tenga cuidado de no dejar caer ni golpear el cartucho de batería.

20. Las baterías de ion de litio incluidas están sujetas a los requerimientos de la legislación referentes a mercancías peligrosas. Para fines de transporte comercial, p. ej., mediante terceros o transportistas, se debe cumplir con el requerimiento especial relativo al empaque y etiquetado. Durante los preparativos del artículo que va a ser despachado, es necesario consultar a un experto en materiales peligrosos. Asimismo, deben tomarse en cuenta algunas regulaciones nacionales posiblemente más detalladas. Oculte o cubra con cinta los contactos abiertos y empaque la batería de tal manera que no pueda moverse dentro del empaque.
21. Consulte su reglamento local en relación con el desecho de la batería.
22. Use las baterías únicamente con los productos especificados por Makita. Instalar las baterías en productos que no cumplen con los requisitos podría ocasionar un incendio, un calentamiento excesivo, una explosión o una fuga de electrolito.

 **PRECAUCIÓN:** Utilice únicamente baterías originales de Makita.

El uso de baterías no originales de Makita, o baterías que hayan sido alteradas, puede provocar que la batería explote ocasionando incendios, lesiones personales y daños. Esto además invalidará la garantía de Makita para el producto y el cargador Makita.

Consejos para alargar al máximo la vida de servicio de la batería:

1. Cargue el cartucho de batería antes de que se descargue completamente. Detenga siempre la operación y cargue el cartucho de batería cuando observe que disminuye la potencia.
2. Nunca recargue un cartucho de batería que esté completamente cargado. La sobrecarga acortará la vida útil de la batería.
3. Cargue el cartucho de batería a una temperatura ambiente de 10 °C – 40 °C (50 °F – 104 °F). Si un cartucho de batería está caliente, déjelo enfriar antes de cargarlo.
4. Cargue el cartucho de batería si éste no ha sido utilizado por un período prolongado (más de seis meses).

**CON EL FIN DE ASEGURAR EL MÁXIMO RENDIMIENTO DE LA BATERÍA, SE RECOMIENDA QUE EL CARTUCHO DE BATERÍA SEA CARGADO ANTES DE SER UTILIZADO POR PRIMERA VEZ.**

# LEA Y GUARDE ESTAS INSTRUCCIONES

## SÍMBOLOS

V Voltios

---

A Amperios

---

— Corriente continua

---

# ESPECIFICACIONES

Este ventilador está equipado con un control de 3 velocidades, oscilación de la cabeza del ventilador, y funciones de apagado automático del temporizador. La fuente de alimentación puede ser el cartucho de batería o el adaptador de CA (accesorio opcional) de Makita.

Modelo:	CF101D	DCF102
[Tensión nominal] Cartucho de batería	[10,8 V - 12 V máx.] BL1016, BL1021B, BL1041B	[14,4 V] BL1430B [18 V] BL1815N, BL1820B, BL1830, BL1830B, BL1840B, BL1850B, BL1860B
Cargador de batería	DC10SB, DC10WD, DC18RE	DC18RC, DC18RD, DC18RE, DC18SD, DC18SE, DC18SF
Adaptador de CA (accesorio opcional)	Entrada	100–240 V, 50/60 Hz, 0,6 A máx.
	Salida	12 V 1,5 A
Dimensiones (La x An x Al)	185 x 260 x 284 mm (7-1/4" x 10-1/4" x 11-1/8")	185 x 272 x 284 mm (7-1/4" x 10-3/10" x 11-1/8")
Peso neto (sin la batería)	1,3 kg (2,8 lbs)	1,3 kg (2,9 lbs)

## PRECAUCIÓN

Use únicamente los cartuchos de batería arriba indicados. El uso de otros cartuchos de batería podría causar lesiones y/o un incendio.

## Duración de la batería

La siguiente tabla muestra algunos cartuchos de batería Makita. A continuación se indica la duración estimada de la batería totalmente cargada:

Modelo	Cartucho de batería	Velocidad del aire		
		Baja	Media	Alta
CF101D	BL1041B	630 min	380 min	275 min
DCF102	BL1430B	415 min	225 min	175 min
	BL1860B	1270 min	705 min	575 min

## Descripción de las piezas (Fig. 1-11)

- |                                   |   |   |
|-----------------------------------|---|---|
| 1. Botón interruptor de encendido | 2. Botón de cambio de velocidad de aire           | 3. Botón de apagado automático del temporizador     |
| 4. Botón de oscilación            | 5. Indicador de velocidad del aire                | 6. Indicador de apagado automático del temporizador |
| 7. Orificio para la correa        | 8. Botón de liberación (modelo DCF102 únicamente) | 9. Ranura de la batería                             |
| 10. Gancho                        | 11. Conector de 12 V CC                           | 12. Adaptador de CA                                 |
| 13. Indicador rojo                | 14. Botón   | 15. Cartucho de batería                             |
| 16. Luz indicadora                | 17. Botón de verificación                         | 18. Orificio para tornillo (5/8"-11 UNC)            |

# MODO DE OPERACIÓN DE LA UNIDAD

## Instalación o extracción del cartucho de batería (Fig. 3)

### PRECAUCIÓN:

- Apague siempre el aparato antes de instalar o extraer el cartucho de batería.
- Sujete firmemente el aparato y el cartucho de batería al instalar o extraer el cartucho de batería. El no sujetar firmemente el aparato y el cartucho de batería podría ocasionar que estos se le resbalaran de las manos causando daños al aparato y al cartucho de batería así como lesiones personales.
- Inserte por completo el cartucho de batería hasta que el indicador rojo (13) no pueda verse. De lo contrario, este podría salirse accidentalmente del aparato ocasionándole alguna lesión a usted o a las personas alrededor.










Para extraer el cartucho de batería, deslícelo del aparato al mismo tiempo que desliza el botón (14). Para instalar el cartucho de batería, alinee la lengüeta del cartucho de batería con la ranura de la caja y deslícelo hasta que encaje en su sitio. Insértelo siempre a tope hasta que se bloquee en su sitio produciendo un pequeño chasquido. Si puede ver el indicador rojo (13) en el lado superior del botón, quiere decir que no ha quedado asegurado por completo.

**No emplee fuerza cuando instale el cartucho de batería. Si el cartucho no se desliza al interior fácilmente, será porque no está siendo insertado correctamente.**

## Indicación de la capacidad restante de la batería (Fig. 4)

*Únicamente para cartuchos de batería con el indicador*

Oprima el botón de verificación (17) en el cartucho de batería para indicar la capacidad restante de la batería. Las luces indicadoras (16) se encenderán durante algunos segundos.

Luces indicadoras			Capacidad restante
 Encendida	 Apagada	 Parpadeando	
			75 % a 100 %
			50 % a 75 %
			25 % a 50 %
			0 % a 25 %
			Cargue la batería. (Para baterías de 18 V y 14,4 V únicamente)
			La batería podría haberse averiado. (Para baterías de 18 V y 14,4 V únicamente)

### NOTA:

- Dependiendo de las condiciones de uso y la temperatura ambiente, la indicación puede variar ligeramente de la capacidad real.

## Sistema de protección del aparato/batería

El aparato está equipado con un sistema de protección. Este sistema corta en forma automática el suministro de energía al motor para prolongar la vida útil del aparato y la batería. El aparato se detendrá automáticamente durante la operación si el aparato o la batería se someten a una de las siguientes condiciones.

- Protección contra sobrecarga: Cuando el aparato se esté utilizando de manera que consuma una cantidad de corriente inusualmente alta, el aparato se detendrá automáticamente sin indicación alguna. En este caso, apague el aparato y detenga la aplicación que causó que el aparato se sobrecargara. Luego encienda el aparato para reiniciarlo.
- Protección contra sobrecalentamiento: Cuando el aparato se sobrecaliente, este se detendrá automáticamente. Deje que el aparato se enfríe antes de volver a encenderlo.
- Protección en caso de sobredescarga: Cuando la capacidad de la batería se reduzca, el aparato se detendrá automáticamente. Si el aparato no funciona aun con los interruptores activados, retire el cartucho de batería del aparato y cárguelo.

## **Arranque/parada del ventilador (Fig. 1, 2)**

Oprima el botón del interruptor de encendido (1) para encender el ventilador. Oprima nuevamente el botón del interruptor de encendido para apagar el ventilador.

## **Cambio de la velocidad del aire (Fig. 5)**

Oprima el botón de cambio de velocidad de aire (2) mientras el ventilador está funcionando. La velocidad del aire aumentará cada vez que usted oprima el botón. La velocidad del aire regresará a la velocidad más baja después de funcionar en la velocidad más alta.

El ventilador inalámbrico comenzará en la misma velocidad del ajuste anterior.

## **Ajuste del ángulo de la cabeza del ventilador (Fig. 6, 7)**

El ángulo de la cabeza del ventilador se puede ajustar manualmente. El rango de movimiento de la cabeza del ventilador se muestra en la ilustración.

Para el modelo DCF102, presione y mantenga oprimido el botón de liberación (8) cuando ajuste el ángulo de la cabeza del ventilador.

### **NOTA:**

No gire la cabeza del ventilador más allá de su rango de movimiento.

## **Oscilación de la cabeza del ventilador (Fig. 8)**

Oprima el botón de oscilación (4) para oscilar la cabeza del ventilador. Vuelva a oprimir el botón para detener la oscilación.

La cabeza del ventilador comenzará a oscilar desde la posición actual una vez que oprima el botón. La cabeza del ventilador oscila en un rango de un ángulo de 90 grados.

### **PRECAUCIÓN:**

- Cuando oscile la cabeza del ventilador, mantenga el rango de movimiento de la cabeza del ventilador libre de obstáculos. El ventilador inalámbrico podría ser empujado y caer a causa de la oscilación.
- No detenga la oscilación sujetando la cabeza del ventilador. Oprima siempre el botón de oscilación para detener la oscilación.

### **NOTA:**

Dependiendo de la posición de la cabeza del ventilador, esta podría no oscilar justo después de oprimir el botón de oscilación debido al mecanismo de oscilación.

## **Temporizador de apagado automático (Fig. 9)**

Oprima el botón de apagado automático del temporizador (3) mientras el ventilador está funcionando. Cada vez que oprime el botón de apagado automático del temporizador, la duración cambia (1 hora / 2 horas / 4 horas / apagado). El número debajo de cada indicador de apagado automático del temporizador muestra la(s) hora(s) restante(s) para apagar el ventilador. El indicador de apagado automático del temporizador se apagará al pasar el tiempo.

### **NOTA:**

Dependiendo del tipo de cartucho de batería y su capacidad restante, el temporizador de apagado automático podría activarse antes de la hora configurada.

## **Colgado del ventilador (Fig. 10)**

Use el gancho (10) en el mango para colgar el ventilador inalámbrico en un poste u otros lugares prácticos. Para evitar que el ventilador inalámbrico se caiga accidentalmente, fíjelo con una correa usando el orificio para la correa (7) y asegúrelo.

### **PRECAUCIÓN:**

- Nunca enganche el ventilador inalámbrico en lugares elevados o en superficies donde el aparato pueda perder el equilibrio y caerse.
- Para colgar el ventilador inalámbrico, utilice un material resistente tal como un poste de metal. El diámetro del poste de enganche deberá ser menor de 24 mm (15/16") y soportar 8,0 kg (17,5 lbs). No cuelgue el ventilador inalámbrico a una altura mayor de 2,3 m.

## **Montaje en un trípode (Fig. 11)**

El ventilador inalámbrico se puede instalar en un trípode Makita.

Si utiliza el trípode con el eje roscado de 5/8"-11 UNC, instale el ventilador inalámbrico usando el orificio para tornillo (18).

## Uso del adaptador de CA (accesorio opcional)

### **ADVERTENCIA**

- Nunca utilice el ventilador inalámbrico si el cable o la clavija están dañados.
- No manipule la clavija con las manos húmedas o con grasa.
- No deje el adaptador de CA desconectado del ventilador inalámbrico mientras haya suministro de corriente de la red eléctrica. Los niños pequeños podrían introducir la clavija con corriente en su boca pudiendo sufrir alguna lesión.

Inserte la clavija de 12 V CC del adaptador de CA en el conector de 12 V CC (**Fig. 1, 2**), y luego inserte las patas del adaptador de CA en el suministro de corriente eléctrica. Asegúrese de que el voltaje nominal de la toma de corriente corresponde con el del adaptador.

### **NOTA:**

- Una vez que el adaptador de CA es conectado, el ventilador inalámbrico puede tardar de 3 a 5 segundos para ponerse en marcha.
- Es posible que el adaptador crujía mientras se está utilizando para el suministro de alimentación. Esto no afectará al uso normal.
- El adaptador de CA no cargará la batería insertada en el ventilador inalámbrico.

## **MANTENIMIENTO**

### **ADVERTENCIA**

- Cuando tenga que hacer el servicio de mantenimiento, pregunte en centros de servicio autorizados por Makita y con piezas de repuesto idénticas solamente. La utilización de cualquier otra pieza podrá crear un riesgo u ocasionar daños al producto.
- Para evitar una lesión personal grave, extraiga siempre el cartucho de batería o el adaptador de CA (accesorio opcional) de la unidad cuando vaya a efectuar la limpieza o dar mantenimiento.
- Permita que el ventilador inalámbrico se enfríe por completo antes de realizar cualquier tarea de inspección, mantenimiento, procedimiento de limpieza o almacenamiento.

### Mantenimiento general

Una vez que el ventilador inalámbrico se haya enfriado, use paños limpios para eliminar la tierra, el polvo, el aceite, la grasa, etc. Nunca utilice gasolina, bencina, disolvente, alcohol o productos similares. Puede que esto ocasione grietas o descoloramiento.

### **ADVERTENCIA**

- Todas las partes deberán ser reemplazadas en un centro de servicio autorizado.

### Almacenamiento

Para evitar un incendio o quemaduras, permita que el ventilador inalámbrico se enfríe por completo antes de guardarlo.

No almacene una batería descargada durante largo tiempo, porque podrá acortarse su vida de servicio.

**Para cuestiones técnicas, póngase en contacto con el agente de ventas.**

## **ACCESORIO OPCIONAL**

### **PRECAUCIÓN:**

Estos accesorios o aditamentos están recomendados para utilizarse con su producto Makita especificado en este manual. El empleo de cualquier otro accesorio o aditamento puede conllevar el riesgo de lesiones personales. Utilice los accesorios o aditamentos solamente para su fin establecido.

Si necesita cualquier ayuda para más detalles en relación con estos accesorios, pregunte a su centro de servicio local Makita.

- Adaptador de CA
- Batería y cargador originales de Makita

### **NOTA:**

Algunos de los artículos en la lista pueden venir junto con el paquete del aparato como accesorios estándar. Estos accesorios pueden variar de país a país.

## **GARANTÍA LIMITADA DE MAKITA**

Consulte la hoja de garantía anexa para conocer los términos más recientes de la garantía aplicables a este producto. Si la hoja de garantía anexa no está disponible, consulte los detalles de la garantía establecidos en el siguiente sitio web para su país respectivo.

- Estados Unidos de América: [www.makitatools.com](http://www.makitatools.com)
- Canadá: [www.makita.ca](http://www.makita.ca)
- Otros países: [www.makita.com](http://www.makita.com)

**Makita Corporation**  
3-11-8, Sumiyoshi-cho,  
Anjo, Aichi 446-8502 Japan  
[www.makita.com](http://www.makita.com)